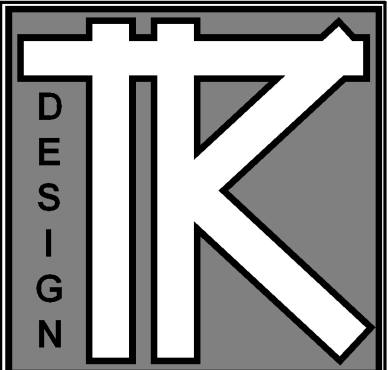


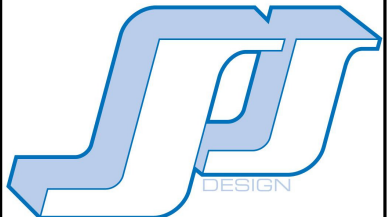
DATE: 4-4-09

REVISIONS:

- ISSUED FOR FINAL REVIEW 4-3-09
- ISSUED FOR FINAL REVISION 4-14-09
- ISSUED FOR CONST. 5-7-09
- RE-ISSUED FOR CONST. 5-15-09



TODD KNOTSON DESIGN



JF JANSEN
2333 UNIVERSITY AV. W.
STUDIO 100
SAINT PAUL, MN. 55114
PHONE: 651-472-0053
FAX: 651-472-0060

CONRAD COUNTRY HOUSE

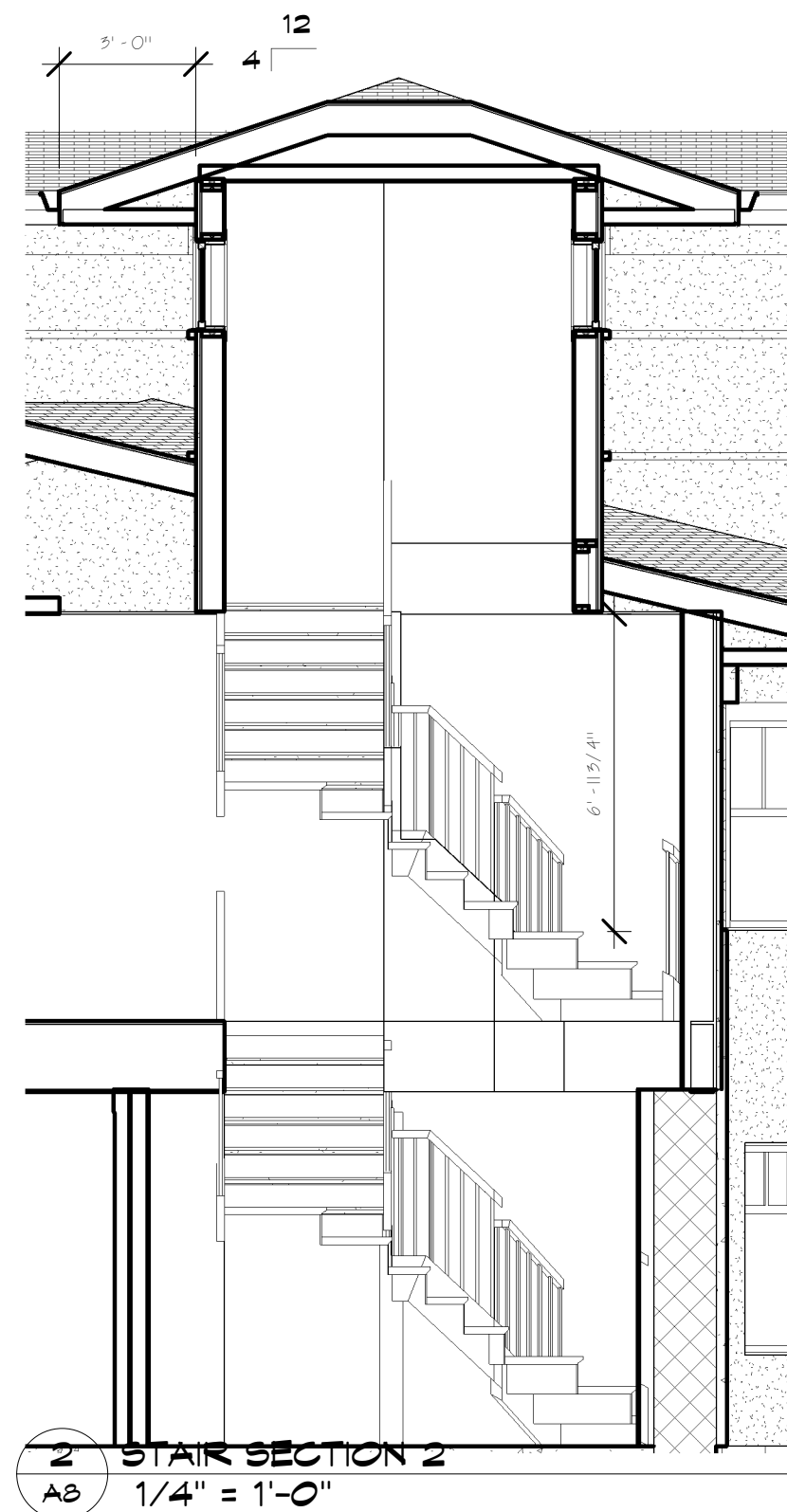
21750 Fairview Street
Greenwood, MN.

JOB NO: 21730

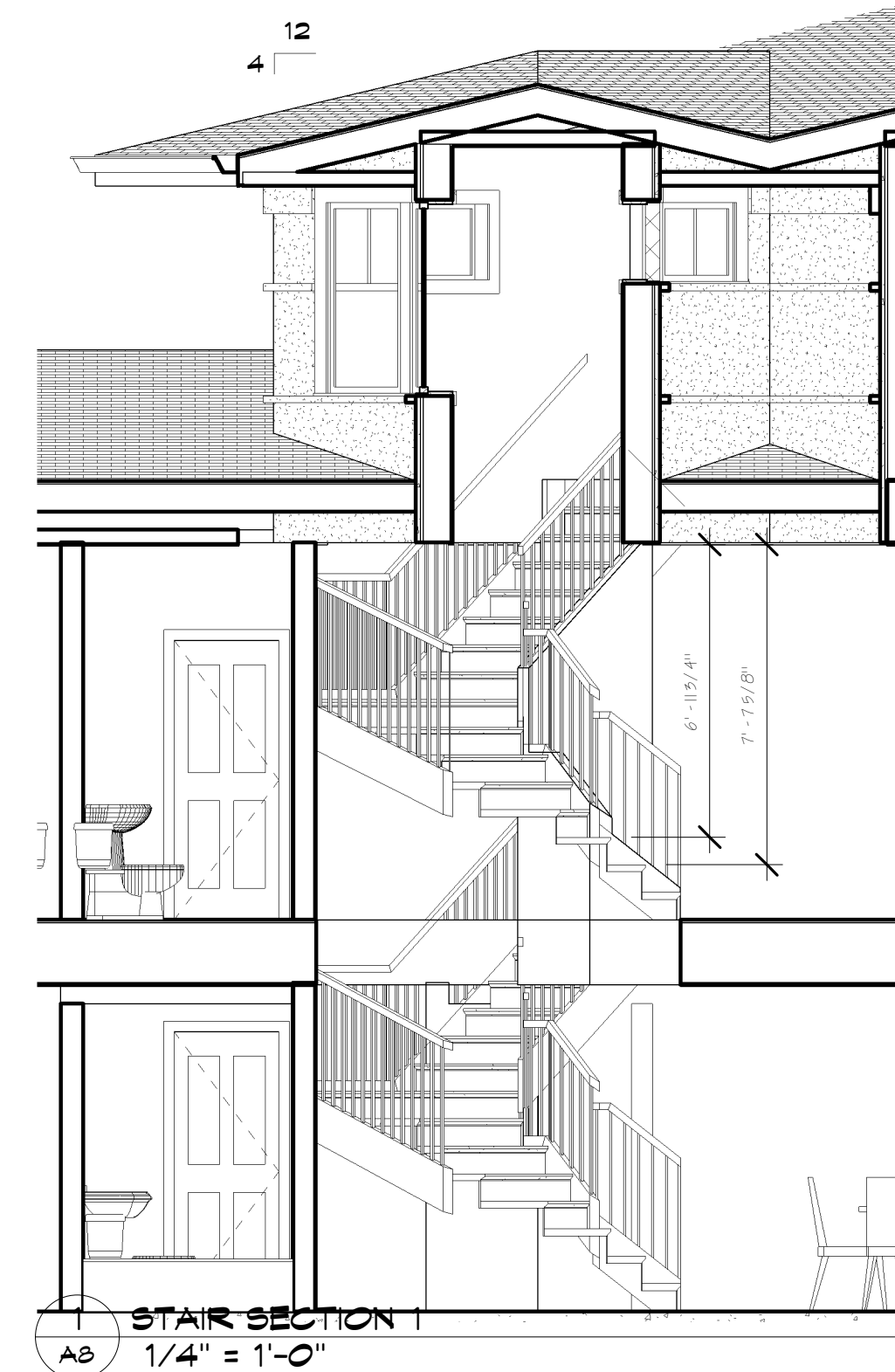
SHEET NO:

A8

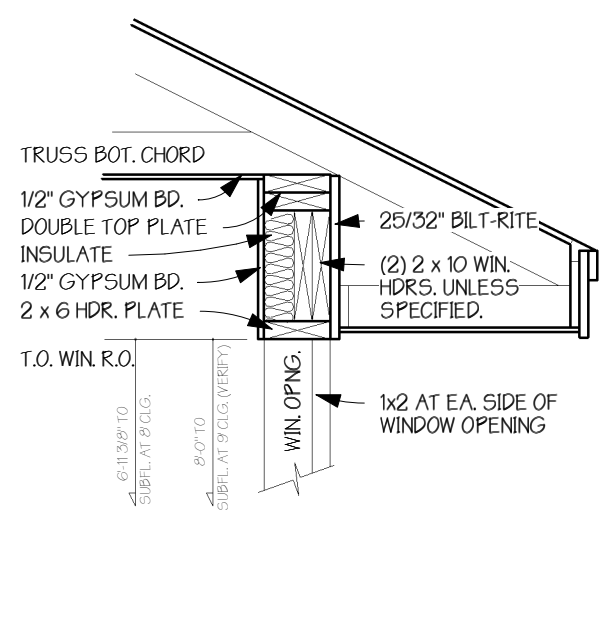
SECTIONS



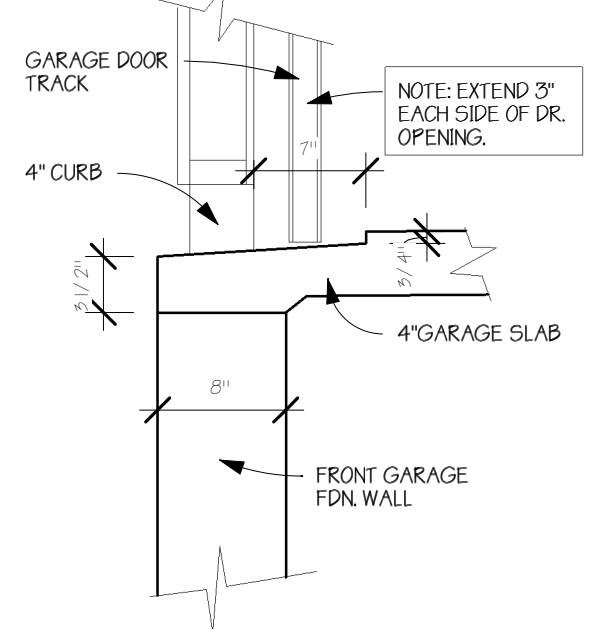
2 STAIR SECTION 2
A-B 1/4" = 1'-0"



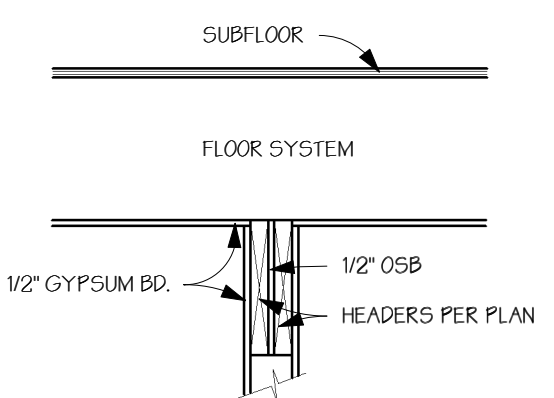
1 STAIR SECTION 1
A-B 1/4" = 1'-0"



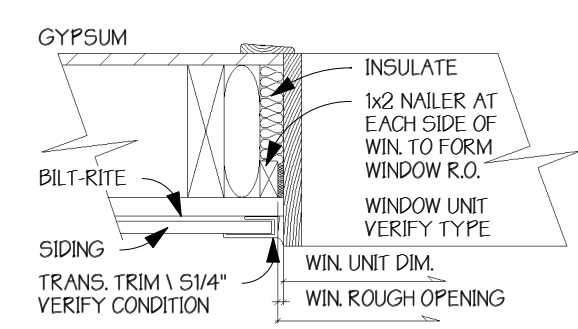
9 DETAIL AT EAVE
A-B 3/4" = 1'-0"



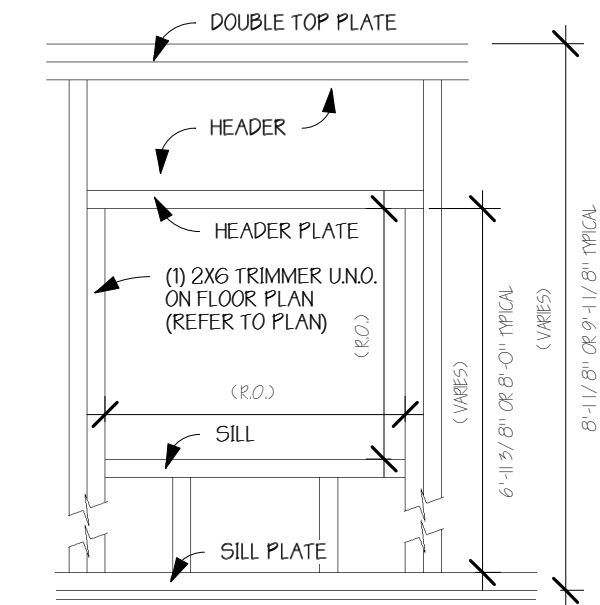
11 DETAIL AT GARAGE DOOR
A-B 1" = 1'-0"



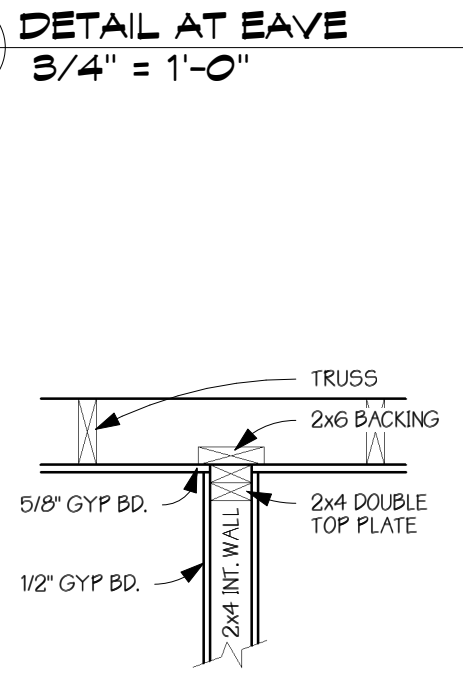
7 DETAIL AT DROPPED HEADER
A-B 3/4" = 1'-0"



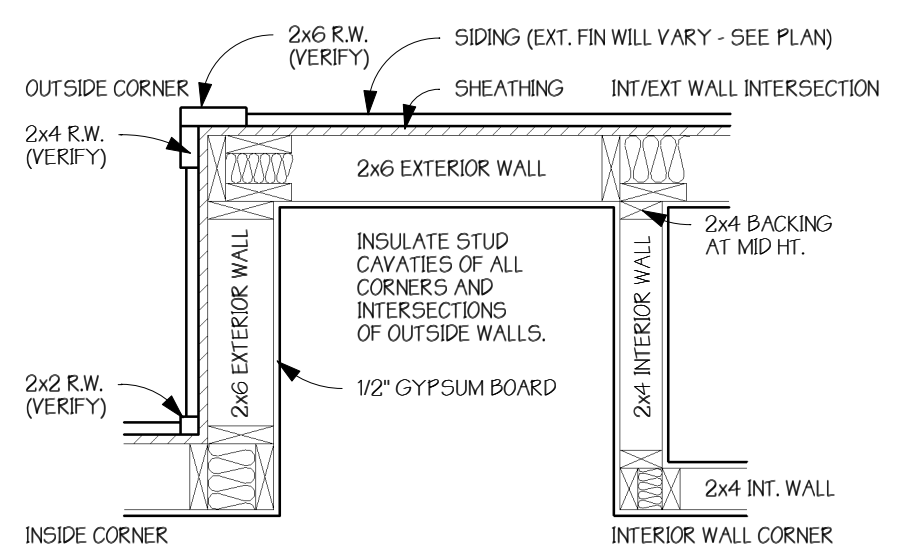
5 DETAIL AT WINDOW NAILER
A-B 1 1/2" = 1'-0"



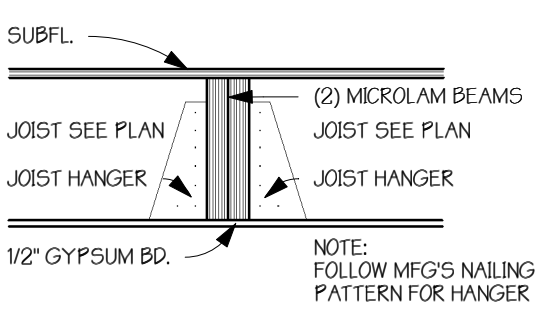
3 WINDOW FRAMING DETAIL
A-B 3/4" = 1'-0"



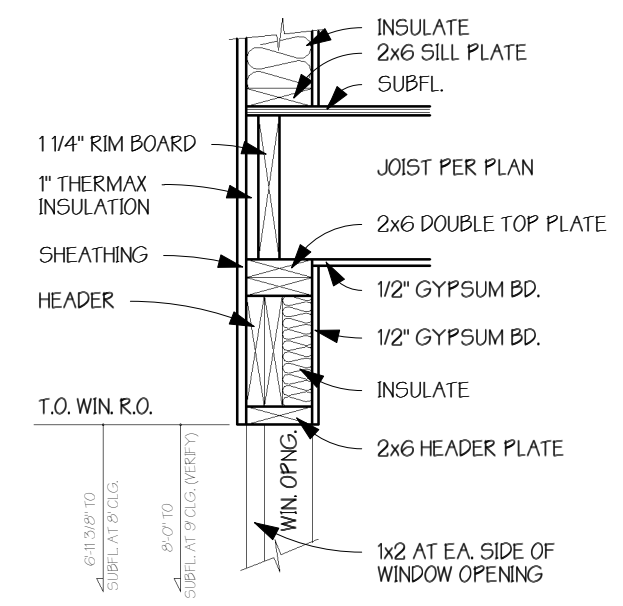
10 DETAIL AT CORNER NAILER
A-B 3/4" = 1'-0"



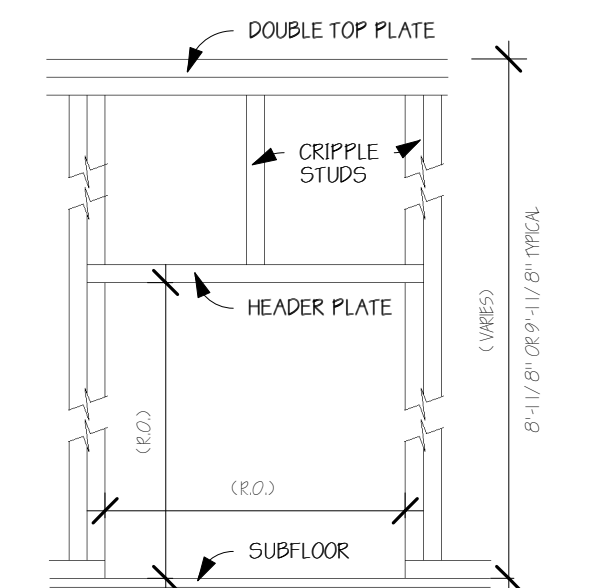
12 TYPICAL FRAMING DETAIL
A-B 3/4" = 1'-0"



8 DETAIL AT FLUSH HEADER
A-B 3/4" = 1'-0"



6 DETAIL AT TYPICAL HEADER
A-B 3/4" = 1'-0"



4 DOOR FRAMING DETAIL
A-B 3/4" = 1'-0"