

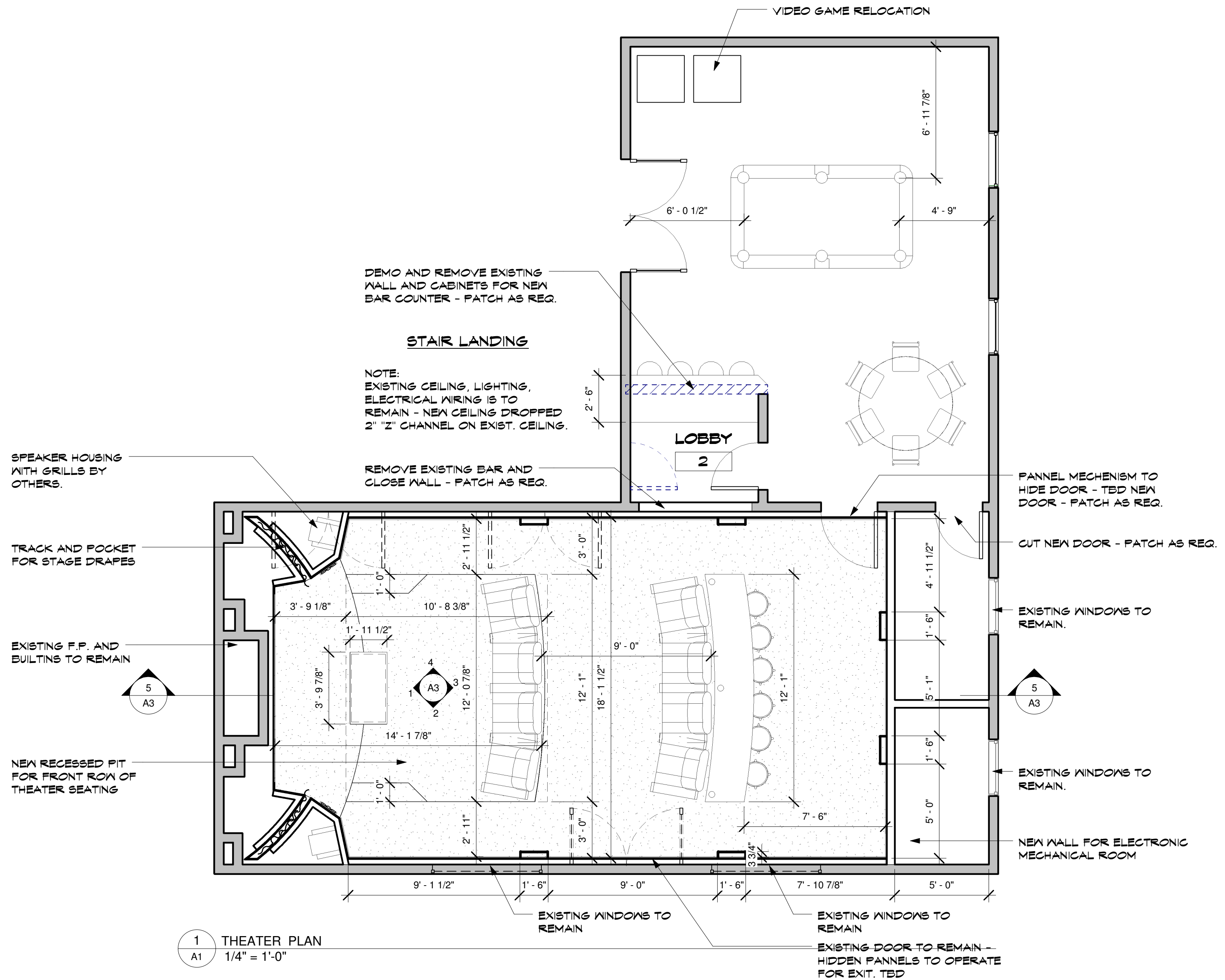
DATE: 3-19-07

REVISIONS:

PRINTED 4-2-07

ENTERTAINMENT DESIGN
INTERNATIONAL MARKET
SQUARE
275 MARKET STREET
612-339-2616

TODD KNUTSON DESIGN
PHONE: 612-332-8000
X25



1 THEATER PLAN
A1 1/4" = 1'-0"

Lemond Theater

3000 WILLOW DRIVE
MEDINA, MN. 55540

JOB NO: 2006

SHEET NO:

A1

PLAN

DATE: 3-19-07

REVISIONS:

PRINTED 4-2-07

ENTERTAINMENT DESIGN
INTERNATIONAL MARKET
SQUARE
275 MARKET STREET
612-339-2616

TODD KNUTSON DESIGN
PHONE: 612-332-3000
X25

Lemond Theater

3000 WILLOW DRIVE
MEDINA, MN. 55540

JOB NO: 2006

SHEET NO:

A2

CEILING

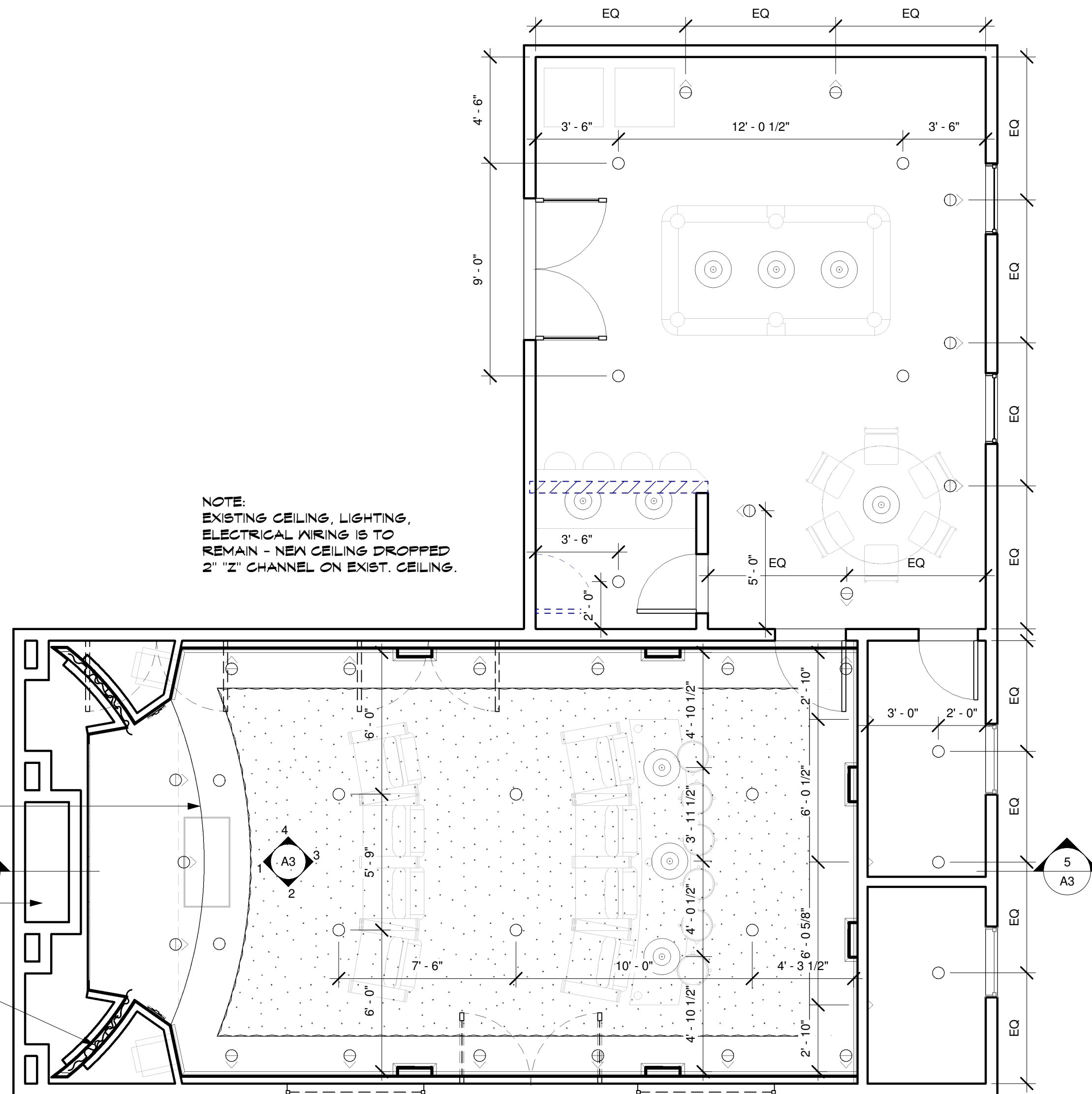
NOTE:
EXISTING CEILING, LIGHTING,
ELECTRICAL WIRING IS TO
REMAIN - NEW CEILING DROPPED
2" "Z" CHANNEL ON EXIST. CEILING.

RECESSED STAGE LIGHTING
TO BE DETERMINED

EXISTING CAB'S AND
BULTIND TO REMAIN

ELECTRICAL TRACK FOR
POCKET CURTIN. BOTH SIDES

1 THEATER CEILING PLAN
A2 1/4" = 1'-0"



DATE: 3-19-07

REVISIONS:

PRINTED 4-2-07

ENTERTAINMENT DESIGN
INTERNATIONAL MARKET
SQUARE
275 MARKET STREET
612-339-2616

TODD KNUTSON DESIGN
PHONE: 612-332-2000
X25

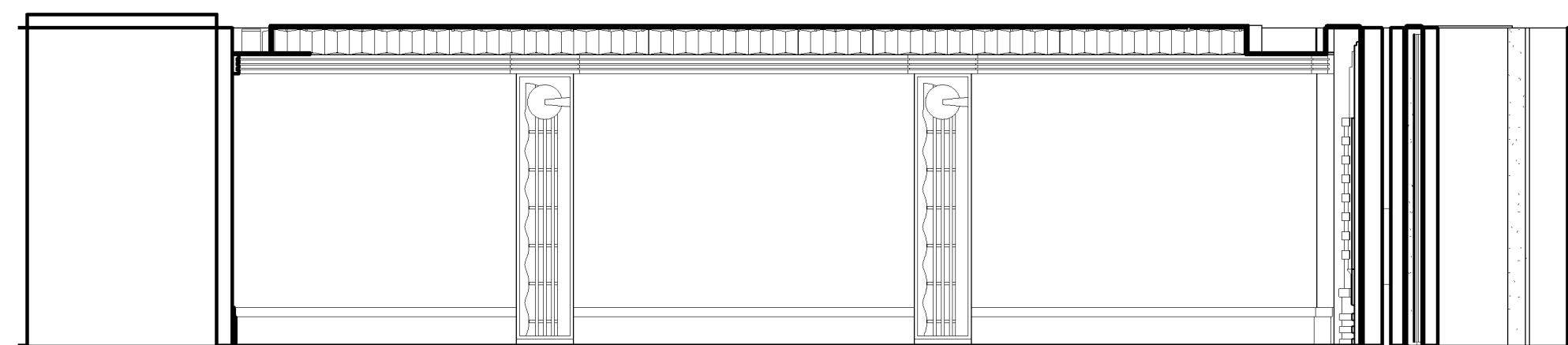
Lemond Theater

3000 WILLOW DRIVE
MEDINA, MN. 55540

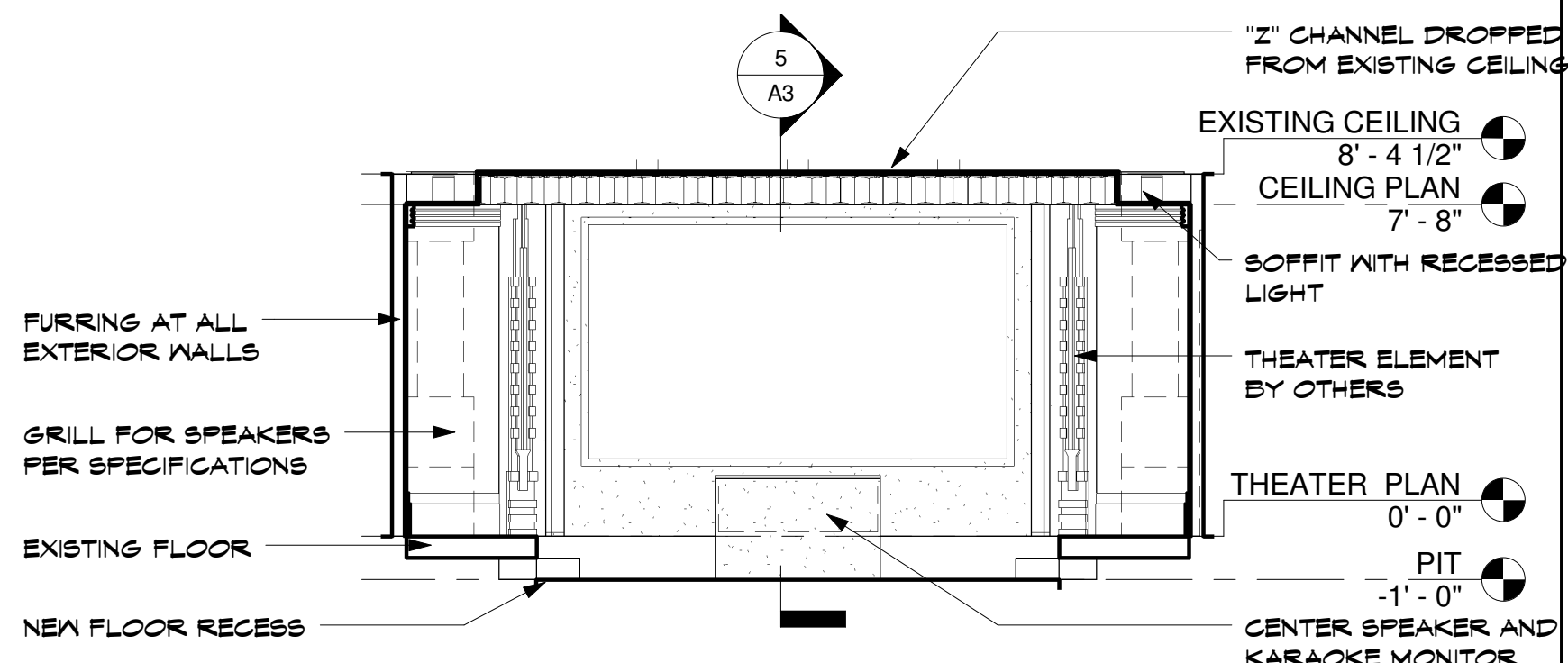
JOB NO: 2006

SHEET NO:

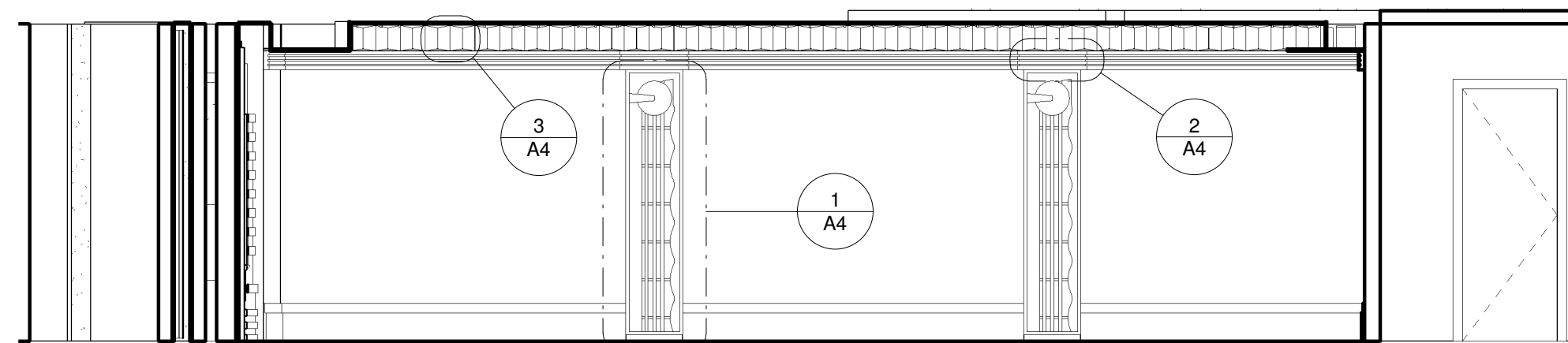
A3
ELEVATION AND
SECTION



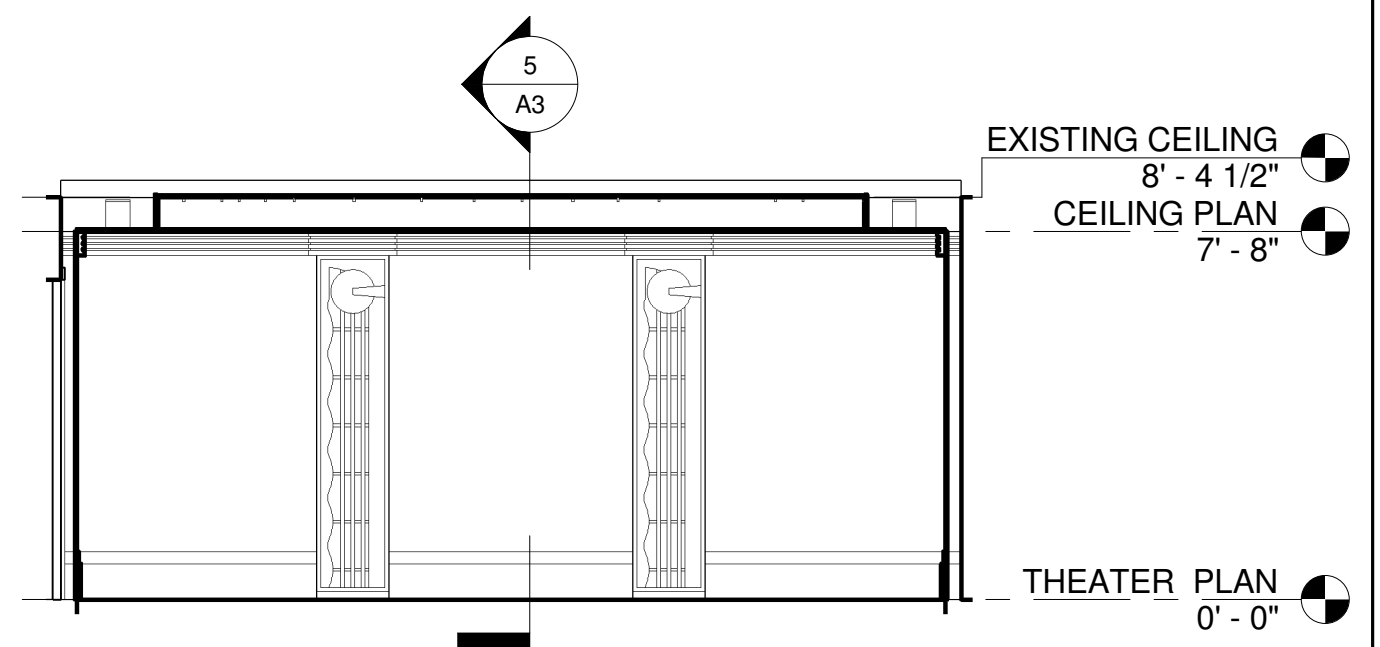
2 LEFT THEATER
A3 1/4" = 1'-0"



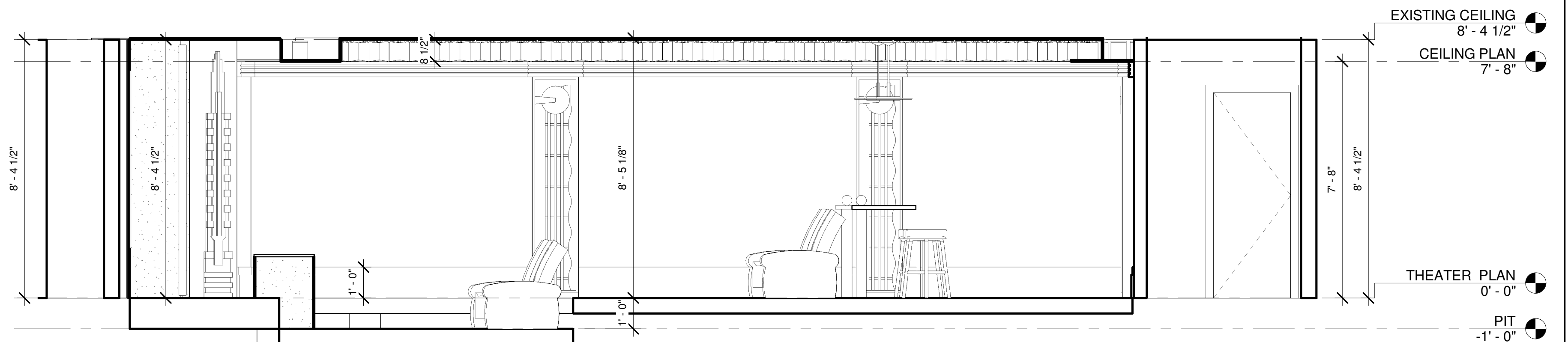
1 STAGE THEATER
A3 1/4" = 1'-0"



4 RIGHT THEATER
A3 1/4" = 1'-0"



3 REAR THEATER
A3 1/4" = 1'-0"



5 THEATER SECTION
A3 3/8" = 1'-0"

DATE: 3-19-07

REVISIONS:

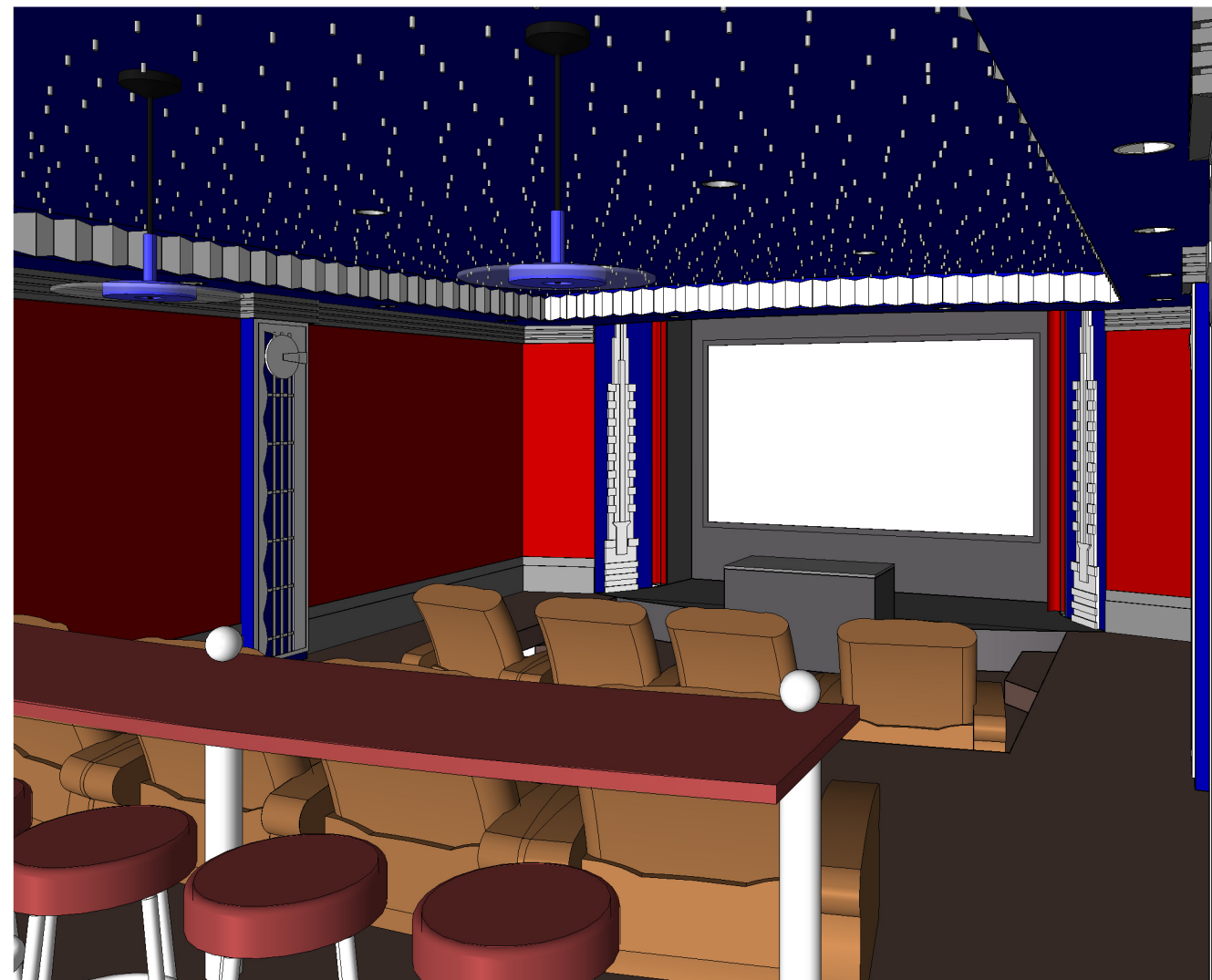
PRINTED 4-2-07

ENTERTAINMENT DESIGN
INTERNATIONAL MARKET
SQUARE
275 MARKET STREET
612-339-2616

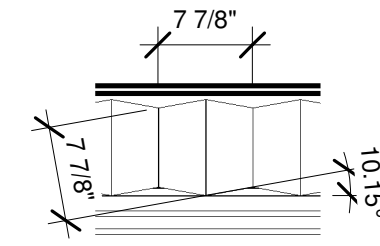
TODD KNUTSON DESIGN
PHONE: 612-332-8000
X25



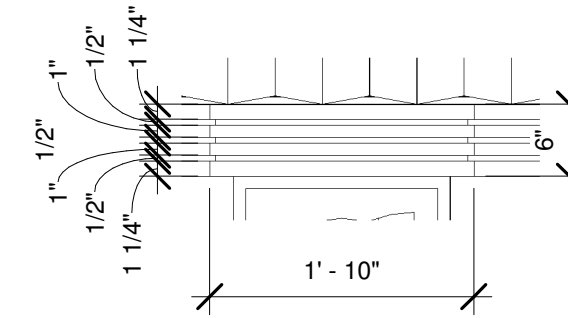
4 3D View 3
A4



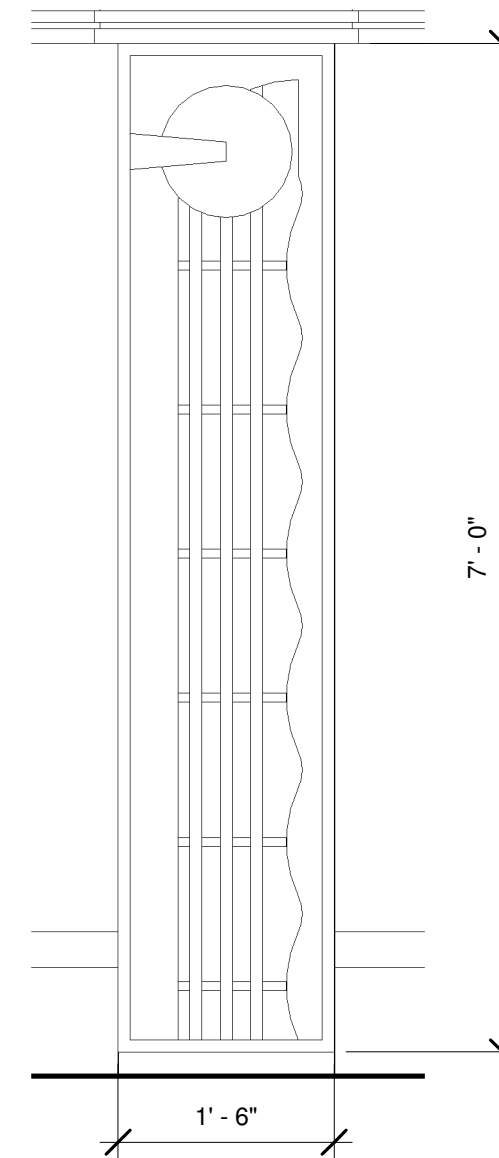
5 3D View 4
A4



3 COIN DETAIL
A4 3/4" = 1'-0"



2 CAP AND WALL DETAIL
A4 3/4" = 1'-0"



1 COLUMN DETAIL
A4 3/4" = 1'-0"

Lemond Theater

3000 WILLOW DRIVE
MEDINA, MN. 55540

JOB NO: 2006

SHEET NO:

A4

DETAILS