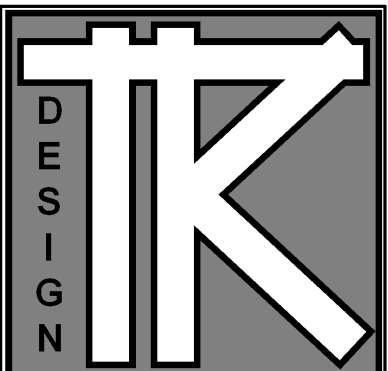


DATE: 9-1-08

REVISIONS:

ISSUED FOR REVIEW AND BID 9-8-08
FINAL REVIEW 9-12-08
ISSUED FOR CONST. 9-23-08



TODD KNUTSON DESIGN
2888 UNIVERSITY AV. N.
STUDIO 100
SAINT PAUL, MN. 55114
PHONE: 651-472-0054
FAX: 651-472-0060
MOBIL: 612-251-1041

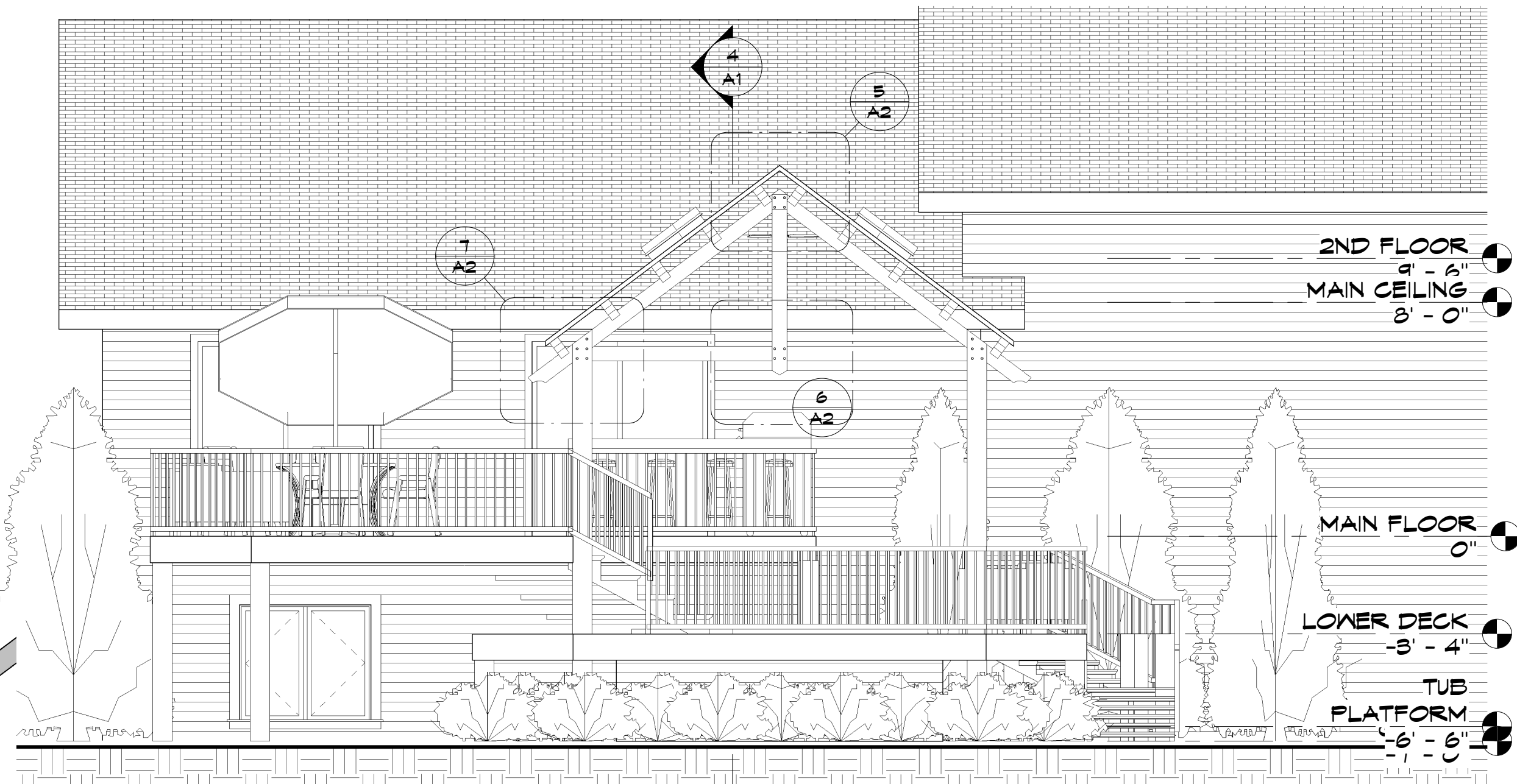
SOJKA DECK

JOB NO: 02XX

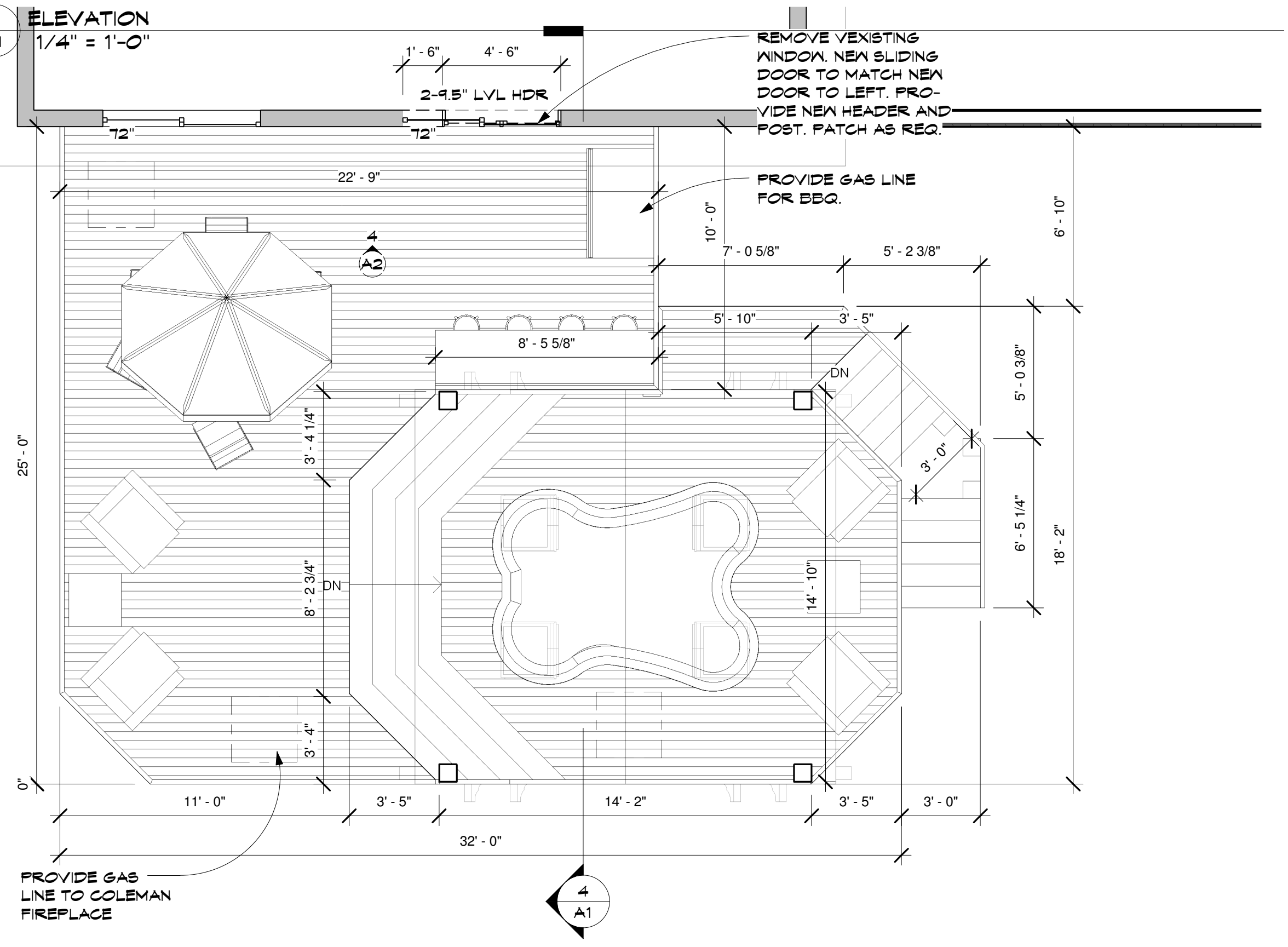
SHEET NO:

A1

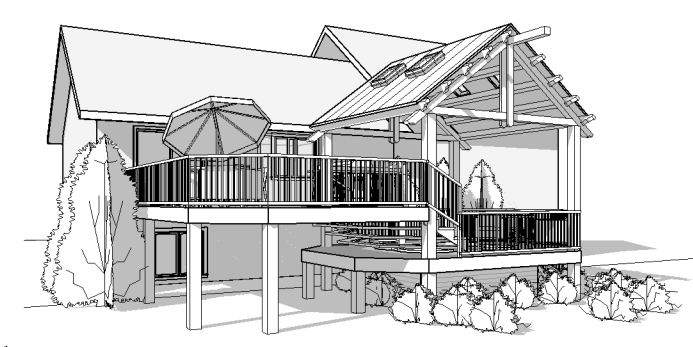
PLANS



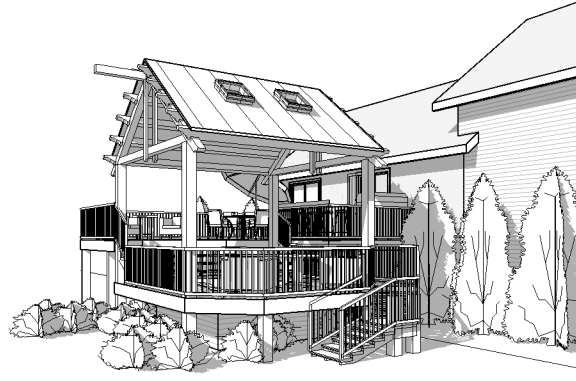
1 ELEVATION
1/4" = 1'-0"



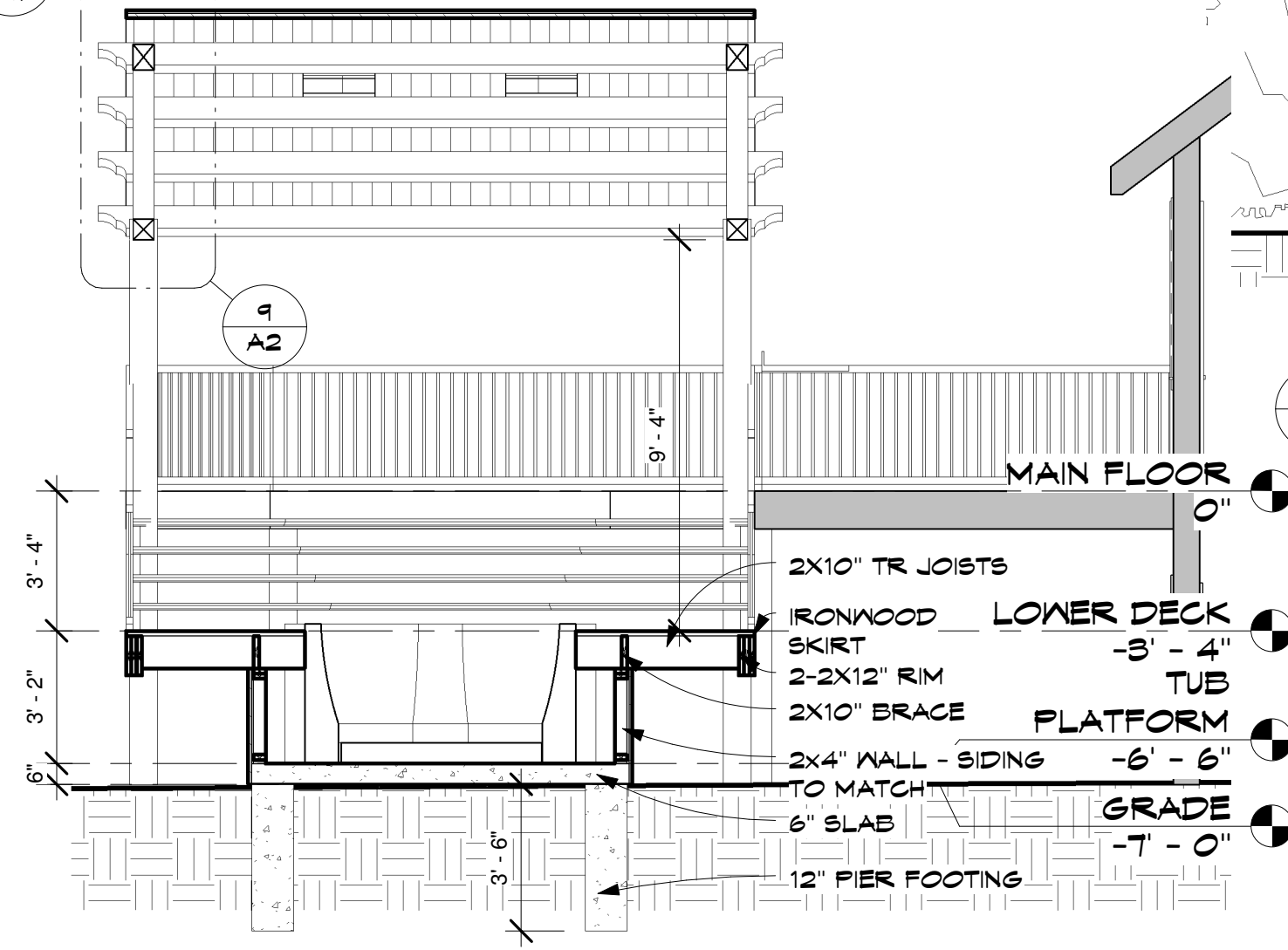
2 MAIN FLOOR
1/4" = 1'-0"



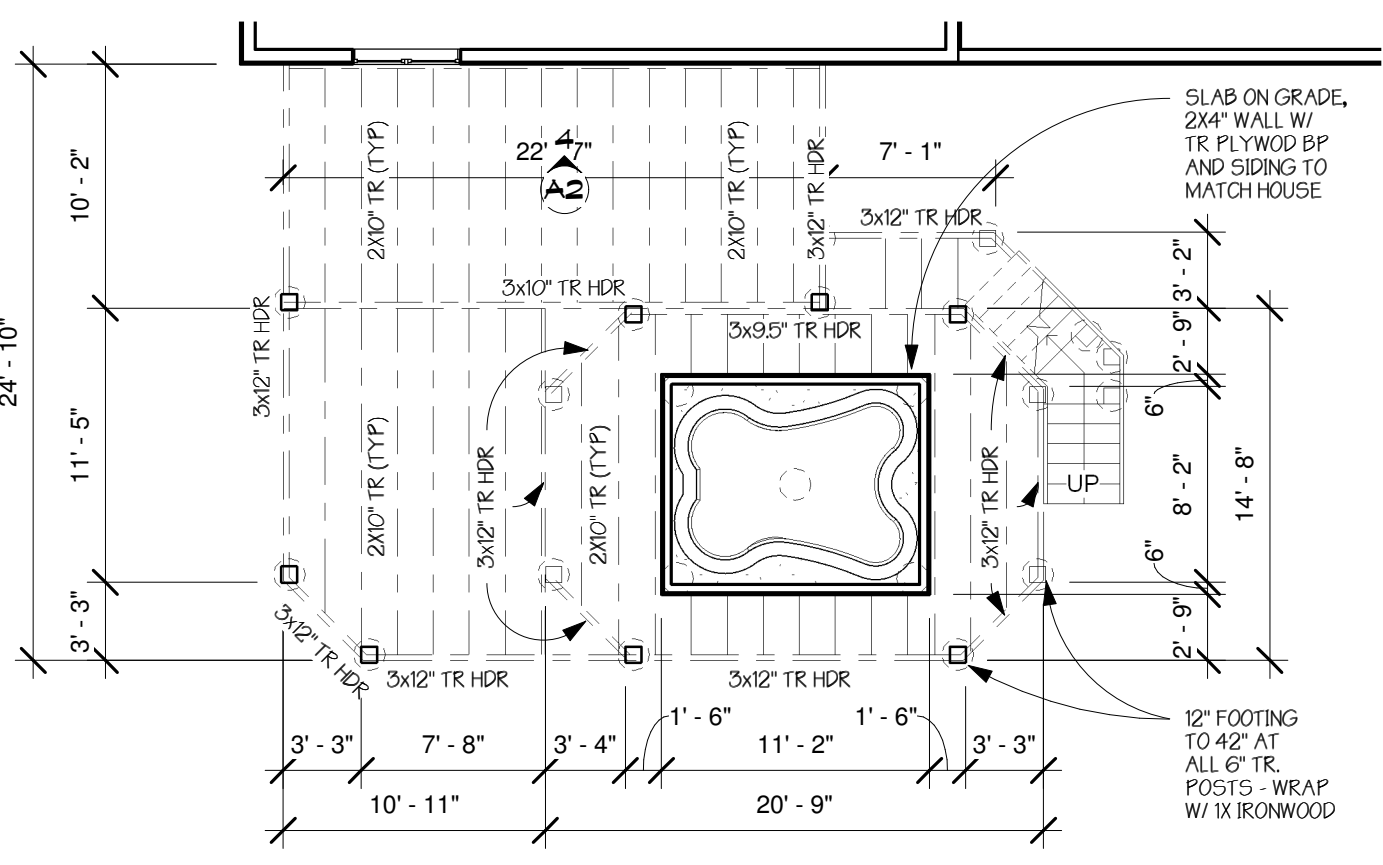
5 3D View 1
A1



6 3D View 2
A1



4 SPA DECK SECTION
1/4" = 1'-0"



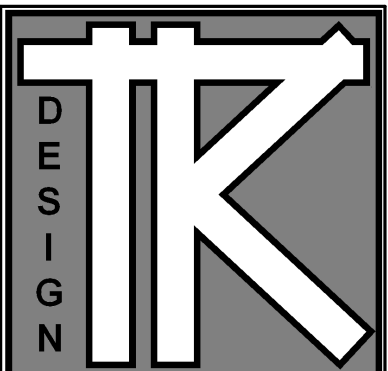
3 GRADE
1/8" = 1'-0"

9/23/2008 12:29:17 PM

DATE: 9-1-08

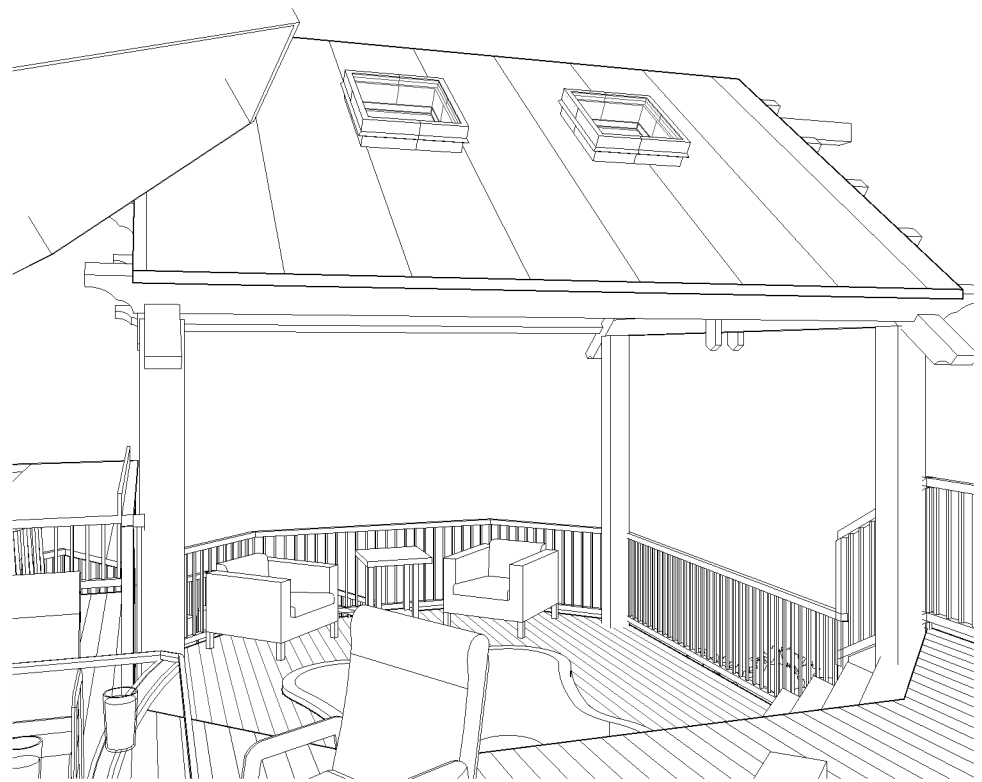
REVISIONS:

ISSUED FOR REVIEW AND BID 9-8-08
 FINAL REVIEW 9-12-08
 ISSUED FOR CONST. 9-23-08

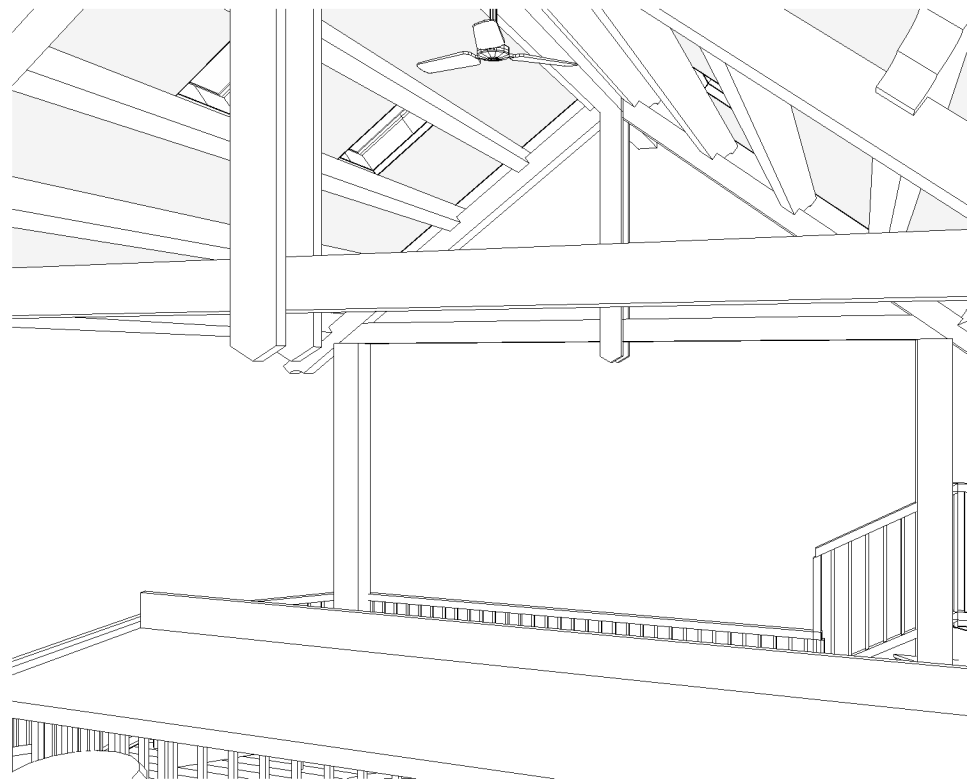


TODD KNUTSON DESIGN

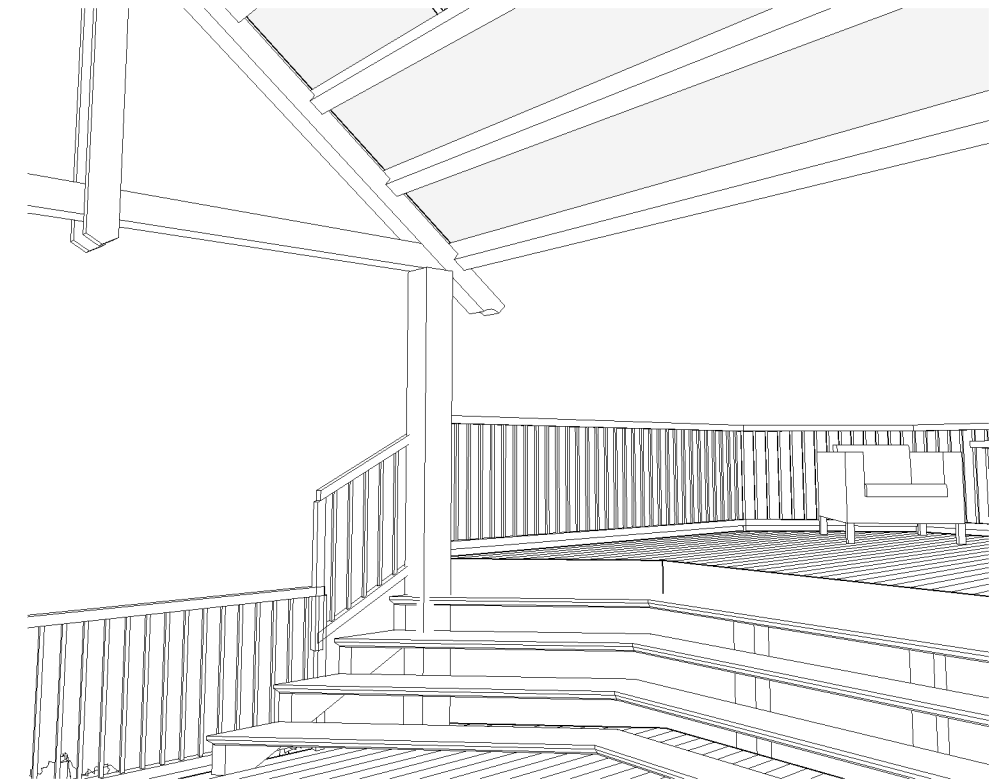
2388 UNIVERSITY AV. W.
 STUDIO 100
 SAINT PAUL, MN. 55114
 PHONE: 651-472-0054
 FAX: 651-472-0060
 MOBIL: 612-251-1041



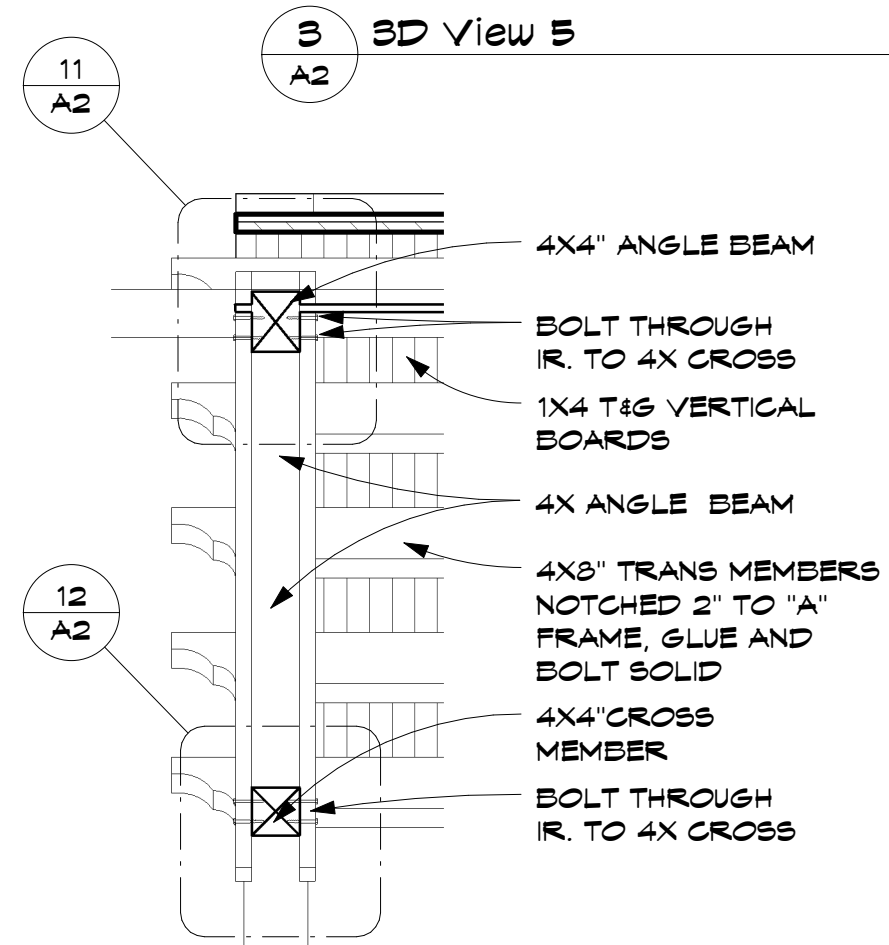
3 3D View 5
A2



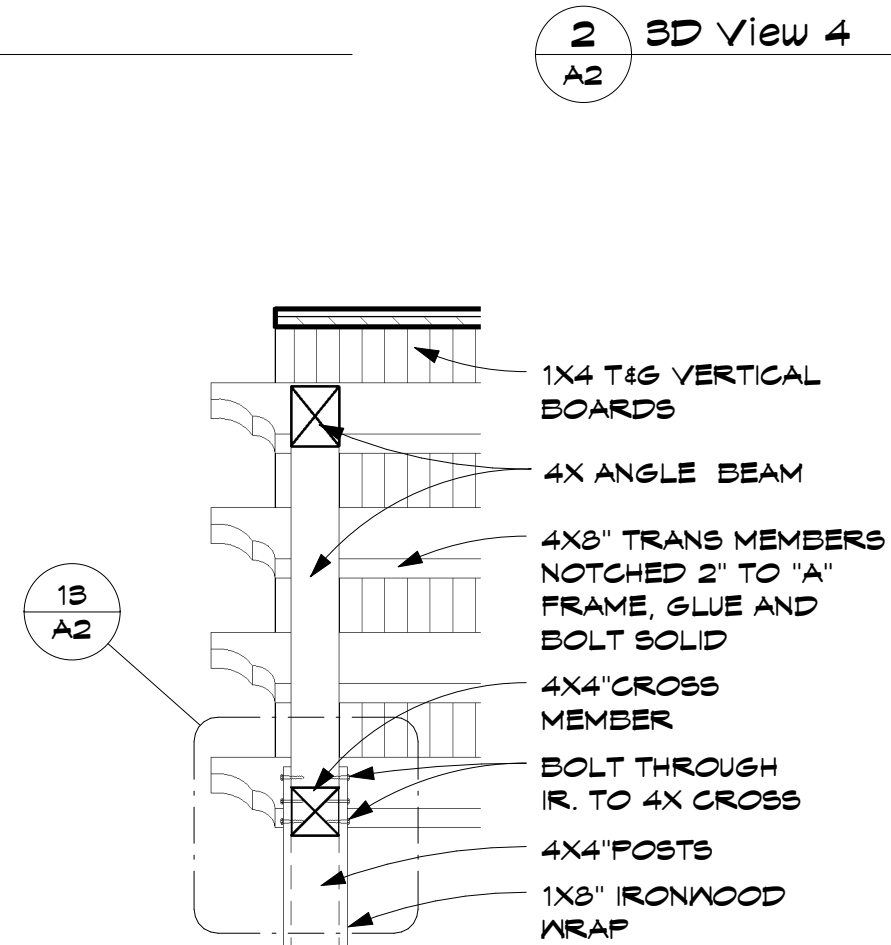
2 3D View 4
A2



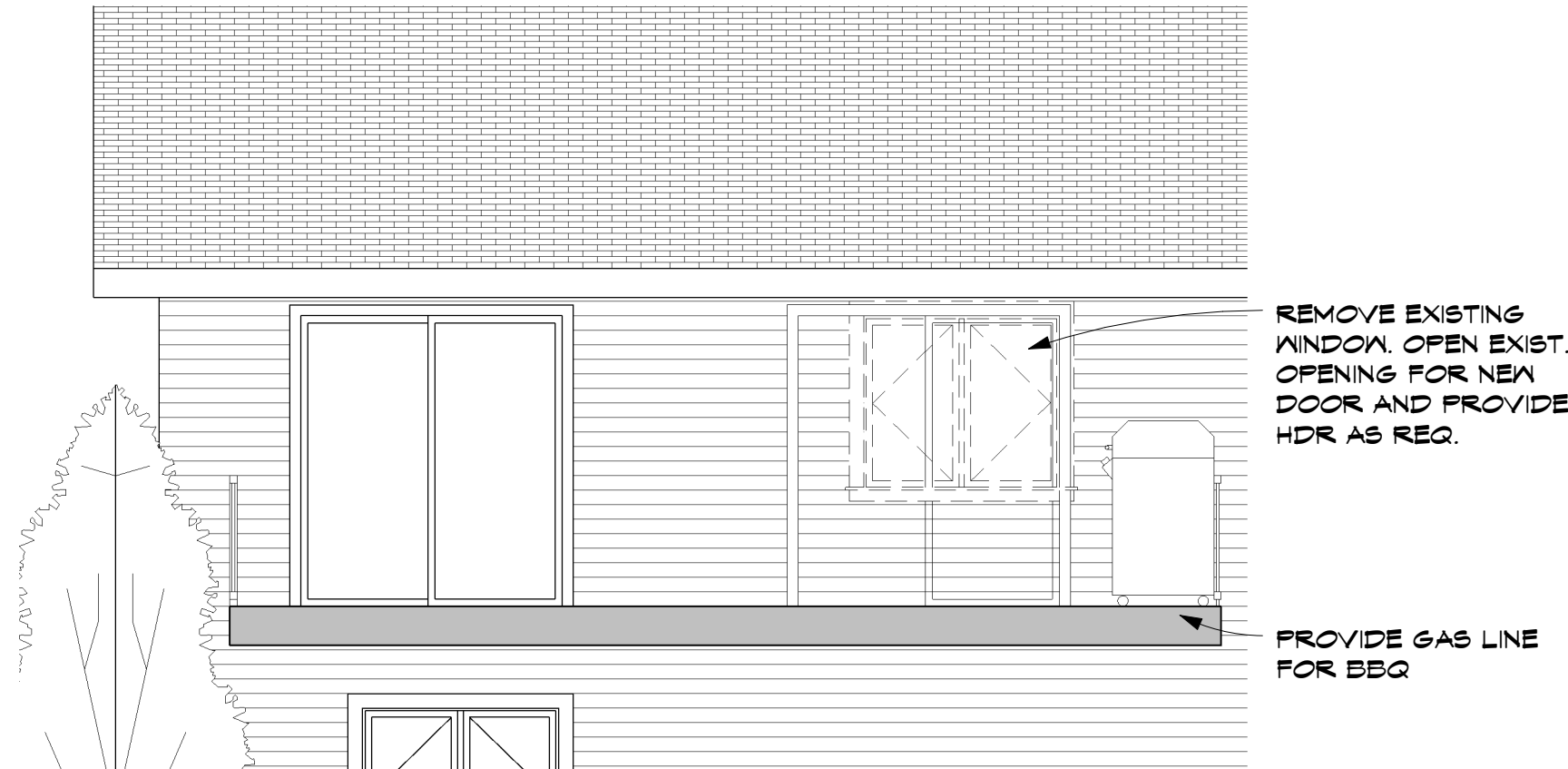
1 3D View 3
A2



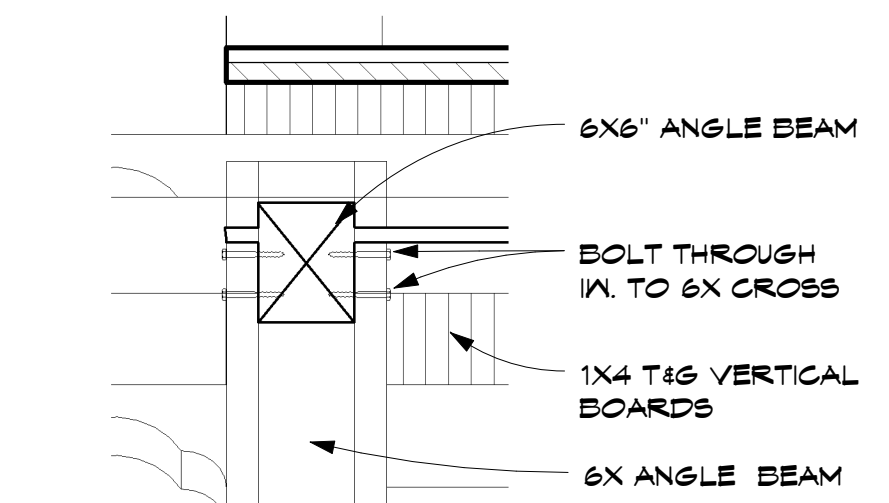
10 SECTION AT BRACE
A2
1/2" = 1'-0"



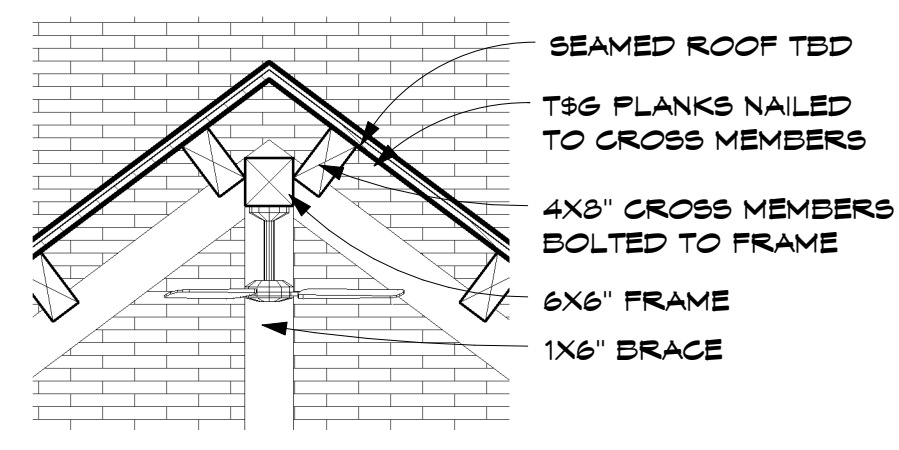
9 "A" FRAME SECTION
A2
1/2" = 1'-0"



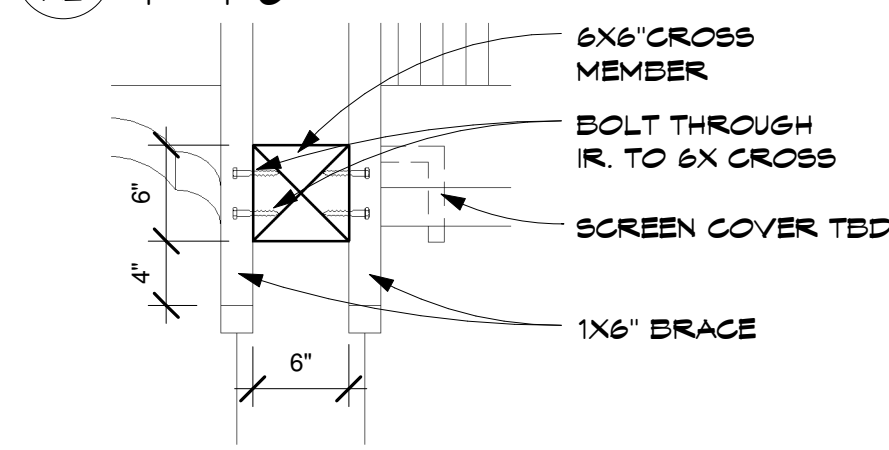
4 DUO SLIDING DOOR ELEVATION
A2
1/4" = 1'-0"



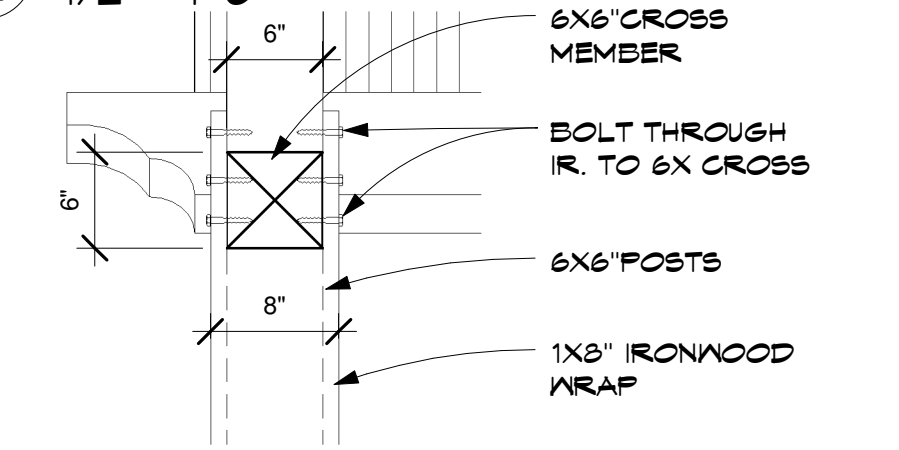
11 BRACE DETAIL 3
A2
1" = 1'-0"



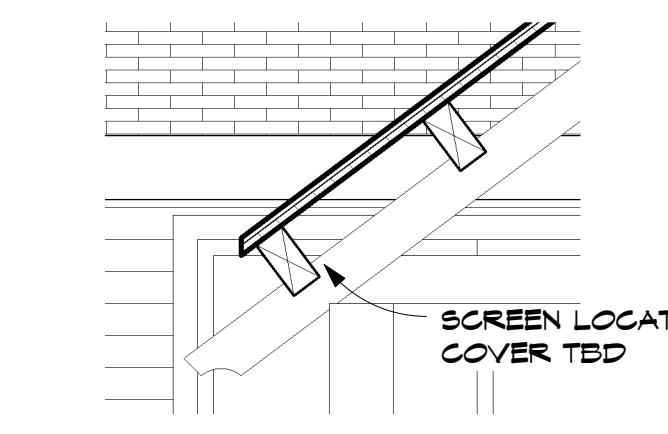
14 DETAIL AT FAN BEACE
A2
1/2" = 1'-0"



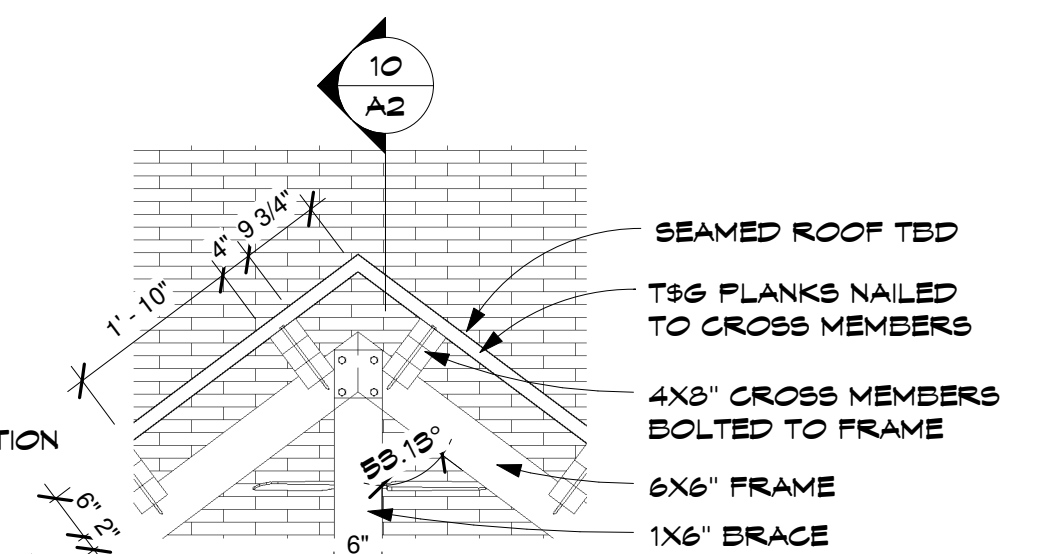
12 BRACE DETAIL 2
A2
1" = 1'-0"



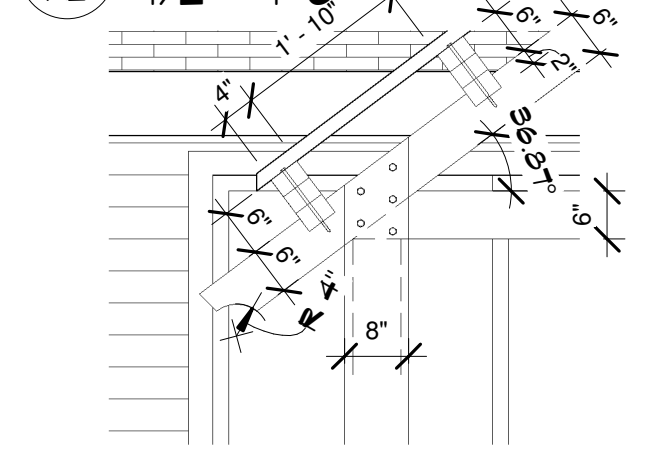
13 BRACE DETAIL 1
A2
1" = 1'-0"



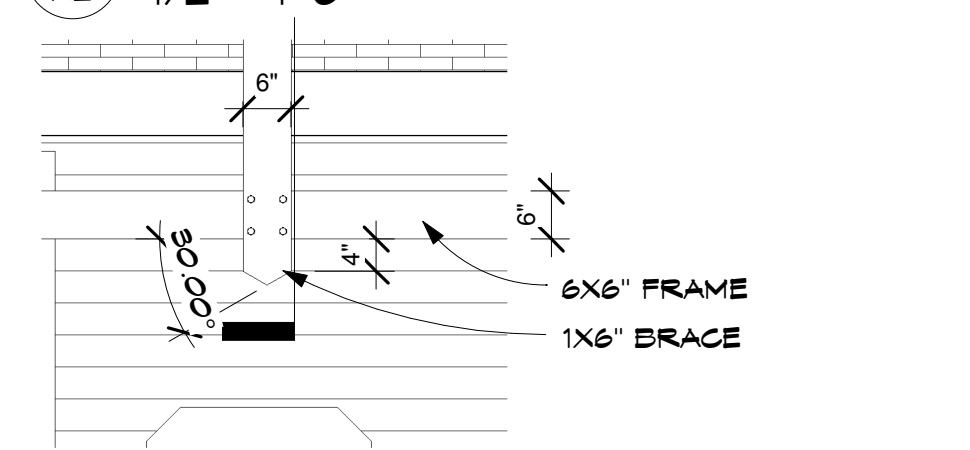
8 SCREEN DETAIL
A2
1/2" = 1'-0"



5 FRAME PEAGUE DETAIL
A2
1/2" = 1'-0"



7 FRAME AND POST DETAIL
A2
1/2" = 1'-0"



6 FRAME BRACE DETAIL
A2
1/2" = 1'-0"

SOJKA DECK

JOB NO: 08XX

SHEET NO:

A2

DETAILS